

SIAM Technology™

Spectrum, Irradiance, and Modulation are the three key aspects in creating the best possible lighting system for your broiler operations. We believe providing the right Spectrum of light, at the optimum Irradiance, and Modulating it properly throughout the day and the production cycle can lead to reduced mortality, improved feed conversion, faster weight gain, reduced stress, and other beneficial welfare and productivity enhancements. All of our AgriShift® lamps are designed with this patent-pending SIAM Technology™.

Brood Lighting

Integrators specify a wide range of foot-candles and lighting systems for the important week-long brood phase of broiler production. For some, energy efficiency, color spectrum, and dimmability may not be the biggest concerns, and CFL or HPS lamps may be the preferred option.

Lighting for Grow-Out Operations

However, regardless of the brood lighting system, there is now a long life, dimmable, energy efficient, spectrally-optimized lamp for the important 5-8 week grow-out phase of production. The AgriShift® MLBg lamp was designed specifically to enhance broiler grow-out productivity, and includes a night lighting and catch lighting mode to improve animal welfare. Designed with a cool white bluish hue light output, the lamp provides wavelengths best suited for low light level grow-out operations.

Night Lighting

The Dark period for broilers does not have to be completely without light. Complete darkness is not a state that usually occurs in nature. Welfare and Production manuals define the Dark period as having 50% or less of the light output provided during the Light period. Providing a low level of light at night, especially light that is designed to mimic the spectral output of the night sky, can keep the birds calm and enhance their take up of feed in the morning.

Energy Savings

Using the MLBg in place of a 100W incandescent lamp can save you over \$20 per year in energy costs, depending on your production cycle and energy rate. Contact your local sales representative for an in-depth savings analysis.



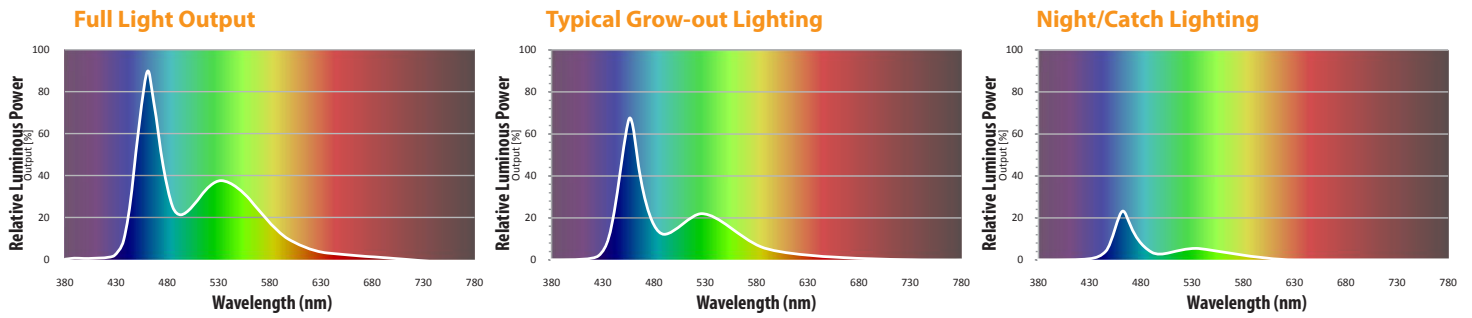
The MLBg Grow-Out lamp, rich in blue and green spectrum, can increase weight in broilers by stimulating testosterone secretion and myofiber growth. Blue light, especially deep blue light, also assists in keeping birds calm. When dimmed to its lowest level, the MLBg lamp produces monochromatic blue light, enabling welfare-enhancing night lighting programs and dramatically reducing motion and injury during catching operations.

Catching Operations

Catching can be a stressful time for the birds, and excessive activity can lead to injury, reducing animal welfare and the productivity of the flock. Catching is usually done at very low light levels, or even in the dark to prevent motion and injury. Using the deep blue catching light from the MLBg lamp provides a better, more humane way to provide lighting for the birds during this stressful activity.

Built for your Barn™

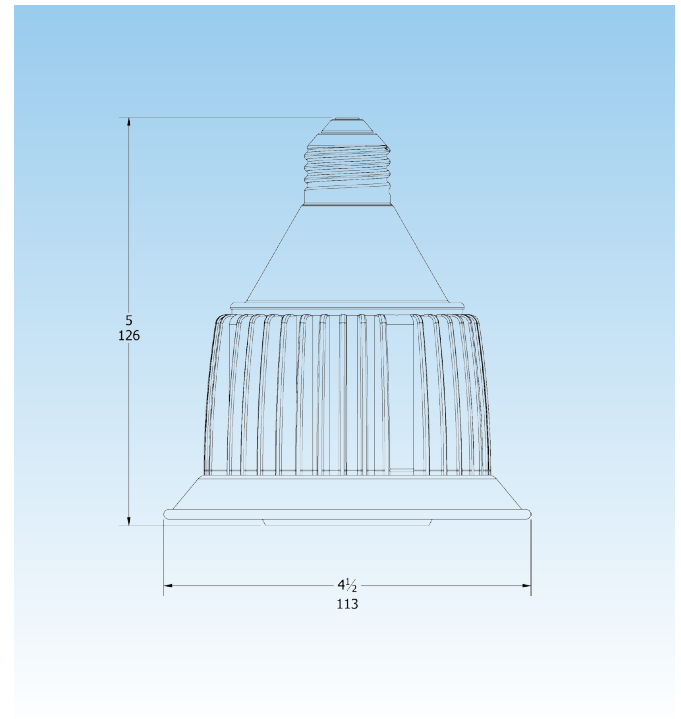
The MLBg was designed for the hot, humid, damp, dirty, harsh environment of your chicken barn. It is not a repurposed residential lamp designed for the comfort of your living room.



Specifications

Light Output Equivalence	40 W incandescent
Luminous Flux	680 lm adjusted to poultry spectral sensitivity, 370 lm human photopic
Input voltage	120 V
Frequency:	50/60 Hz
Nominal Power	6W
Spectral Output	Cool white bluish hue dimmable to all blue
Power Factor	>.97 nominal
Total Harmonic Distortion	<20% nominal
Beam Angle	180°
Operating Temperature	-20°C to 45°C
Dimmability Range	100% to 2%
Dimmer Type	Phase Modulation or Amplitude Control
Ratings	Damp Location (EB), Wet Location (JJ, JB, HW), IP66, RoHS
Safety	Conforms to ANSI/UL Std. 1993 and to CAN/CSA Std. C22.2 No. 1993-09
Rated Life	50,000 Hours
Warranty	3 years (24/7)

Dimensions



Part Numbers

LAMP - AGRISHIFT® MLBg - CWBL-EB-180-006-120

REPLACEMENT BASE ADAPTOR (FUSED) - ADAPT-EBUS-01

Also available in the following connection styles:

Jelly Jar - AgriShift® MLBg-CWBL-JJ-180-006-120

Junction Box - AgriShift® MLBg-CWBL-JB-180-006-120

Hard-Wire (cord) - AgriShift® MLBg-CWBL-HW-180-006-120



Although all units are fused for both internal and external protection, it is highly recommended that Class II surge suppression be installed after the dimmer on your electrical circuit. This is in addition to a whole house lightning arrestor that is mounted before your electrical panel. Read the warranty for specific requirements.

onceinnovations.com

Once Innovations, Inc. • 5455 Highway 169 N • Plymouth, MN 55442 • T 763. 381. 5621 • F 763. 381. 5698

once[®]
innovations inc